



Constant Current 1 channel led controller

DDS1030

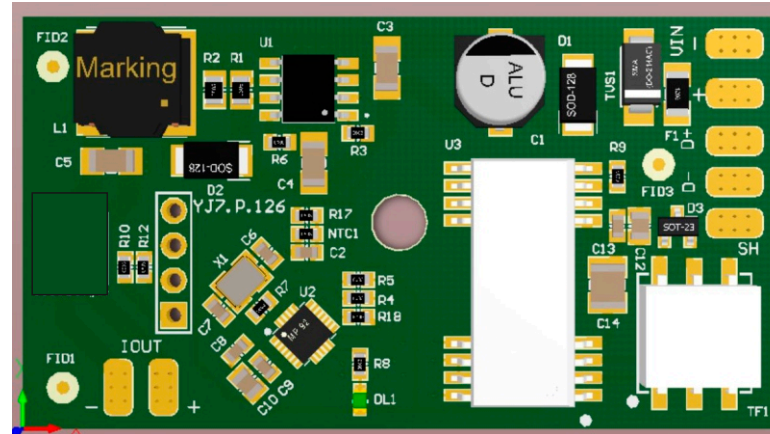
DDS 1030 è un driver da 1 canale in corrente costante, per led o COB la corrente viene impostata in fabbrica fino ad un massimo di 910mA.

Questo modulo puo lavorare con tensioni in ingresso massime di 26vdc, e minime di 10Vdc.

L'ingresso DMX/RDM optoisolato, e' protetto contro tensioni di 250vac, senza che si rompa nulla.

La dimmerazione tramite DMX e in curva logaritmica, altre possibili curve sono selezionabili delle personalità tramite RDM.

E' prevista una protezione termica a bordo che riduce la corrente se la temperatura raggiunge gli 80gradi c.



DDS 1030 is a constant current 1 channel driver, for LED or COB the current is factory set up to a maximum of 910mA.

This module can work with maximum input voltages of 26VDC, and minimum 10Vdc.

The optoinsulated DMX/RDM input is protected against voltages of 250vac, without breaking anything.

Dimming via DMX and logarithmic curve, other possible curves are selectable by RDM personalities.

A thermal protection on board is provided which reduces the current if the temperature reaches 80°C.

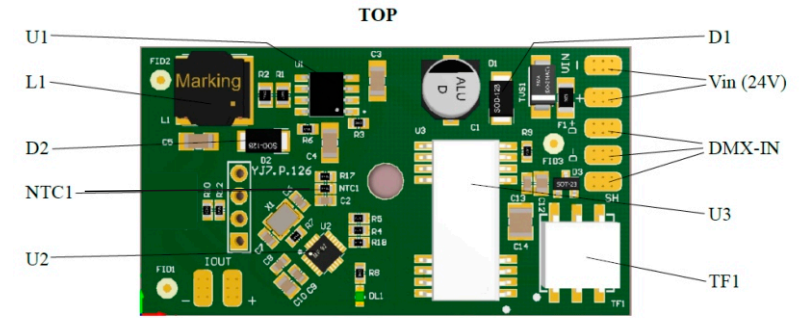


Constant Current 1 channel led controller **DDS1030**

MADE IN ITALY

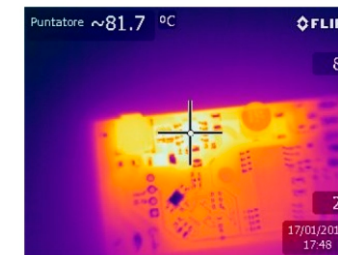
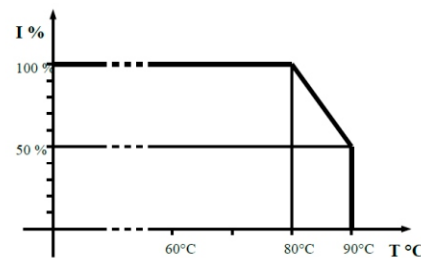
Specifiche Tecniche | Technical Specification

	Min.	Typ.	Max.
Power supply:	10vdc	24vdc	26vdc
Max current per channel:			2000mA
Dropout voltage:	2vdc	2,2vdc	2,5vdc
DMX	compatible 512	FULL optoinsulated and protected up to 250vac	
RDM 2.0		FULL optoinsulated and protected up to 250vac	
Power supply	21W	22W	22,4W
led Current	factory setting	200mA	910mA
PWM Frequency	366Hz	16bit Gamma curve	
Size	55x30x12 mm PCB fr4 1.6mm		
Connection solder pads			
environmental:			
operating temperature:	-10°	+30°	+50°C
Storage temperature:	Tst -20°	+30°	+85°
Case temperature TC :	+65°	+65°	+65°
Relative humidity:	RH 80%	RH 80%	RH 80%



Thermal MAP

Designator	Component	Temp. MAX
U1	ILD6150	* 100 °C
U2	EFM8BB31F16GB-QFN24	85 °C
U3	MAX3535EEW1	85 °C
U4	78M33DCY-SOT223	110 °C
L1	100uH-LQS-8040	120 °C
D1-D2	PMEG6030EVP	110 °C
TF1	TGM240NS	85 °C



Overled®
| What's next? |



Overled è un marchio di DDS Elettronica s.r.l.
via Biondo, 171 • 41126 Modena (Mo) • Italy • Tel: +39 059 3314.65 • info@overled.com

www.overled.com

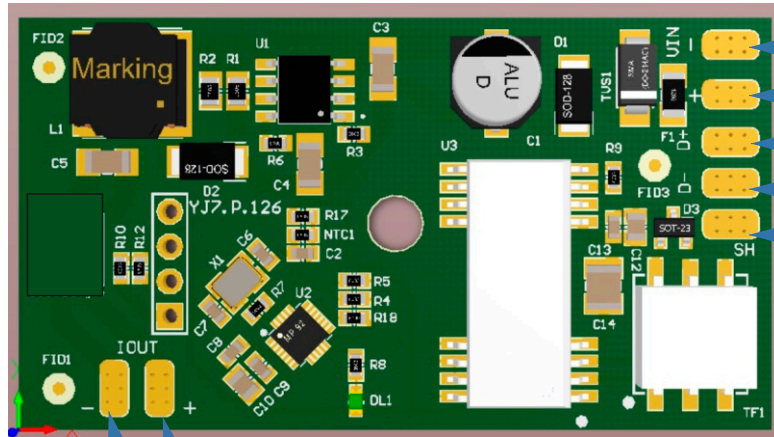


CONTROLLER

Constant Current1 channel led controller

DDS1030

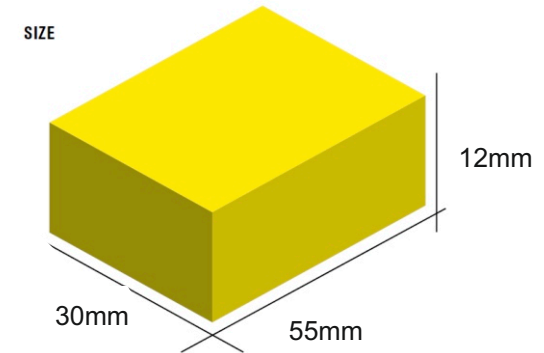
MADE IN ITALY



Front View

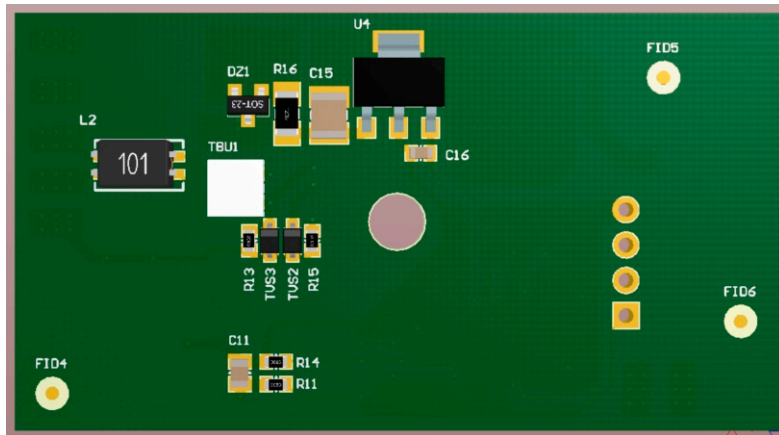
- GND power supply
- +24vdc power supply
- DMX data + A input
- DMX data - B input
- DMX gnd

- Anode led
- Kathode Led



Weight 30g.

Ordering Code
Codice di ordine: DDS1030



Bottom View

Overled®

What's next?



Overled è un marchio di DDS Elettronica s.r.l.
via Biondo, 171 • 41126 Modena (Mo) • Italy • Tel: +39 059 3314.65 • info@overled.com

www.overled.com