



DDS Elettronica si riserva di apportare, senza preavviso, modifiche ai suoi prodotti in favore di un costante perfezionamento degli stessi.
DDS Elettronica reserves itself the right to modify its products without notice for the constant improvements of its production.

Lamp.603 modulo led basato su luxeon M, alimentato a 500mA, e tramite jumper su PCB in metalcore a saldatura la corrente arriva 700mA. Sono previsti filtri EMI e fusibile non ripristinabile, connettore a molla per i cavi max 2x0,75mm². Alimentazione 48vdc. Sono disponibili pads per la connessione serie dei moduli max 5 moduli consecutivi.

Questo modulo è dimmerabile in PWM sulla alimentazione.

E' prevista una sonda termica a bordo scheda che riduce la corrente di alimentazione dei led non appena la temperatura sulla scheda supera i 75gradi, proteggendo il led da sovraccarico termico e conseguente riduzione delle ore di vita. Il dissipatore non è fornito.

Sono disponibili ottiche da 38mm con fascio 16 gradi, o ellittiche.

BIN led unico per il colore scelto.

Lamp.603 led module based on Luxeon M, with embedded constant current control @500mA, with jumper up to 700mA. EMI filter and fuse on board is available, 2 pole connector for wiring 2x0,75mm², 48VDC power supply, pads for series module connection available.

Dimmable by PWM on the power supply.

Thermal protection available by on board sensor, it reduce Current to LED if temperature rise up 75 degree C, this help in the LED life time avoiding fast decrease of the light.

Heat sink isn't provided.

Optical 16 degree beam and elliptical available.

BIN color FREE.

Available Optics:

Ordering Number CN10861_IRIS
Family Iris
Type Assembly
LED LUXEON M
Color black
Diameter 38 mm
Height 28.5 mm
Style round
Optic Material PMMA
Holder Material PC



ROHS compliant

Optical Properties
Viewing Angle (FWHM) 16°
Light Beam Type Spot
Efficiency 87 %
cd/lm 9.100

Ordering Number C12868_FLARE-MAXI
Family Flare
Type Lens
LED LUXEON M
Color clear
Diameter 33.9 + 33.3 mm
Height 16.7 mm
Style rectangular
Optic Material PMMA
Fastening pin, glue
ROHS compliant



Optical Properties
Viewing Angle (FWHM) 100+23°
Light Beam Type REC-class
Efficiency 94 %
cd/lm 1.400



Technical Specification :

Power supply 48-55 vdc
Current consumption 670mA @48 vdc 32W (700mA led)
Efficiency typical 87%

4 Led luxeon M 2800lm @ 700mA

available led colour: 3000k-4000k-5000k Royal blue 110lm/w

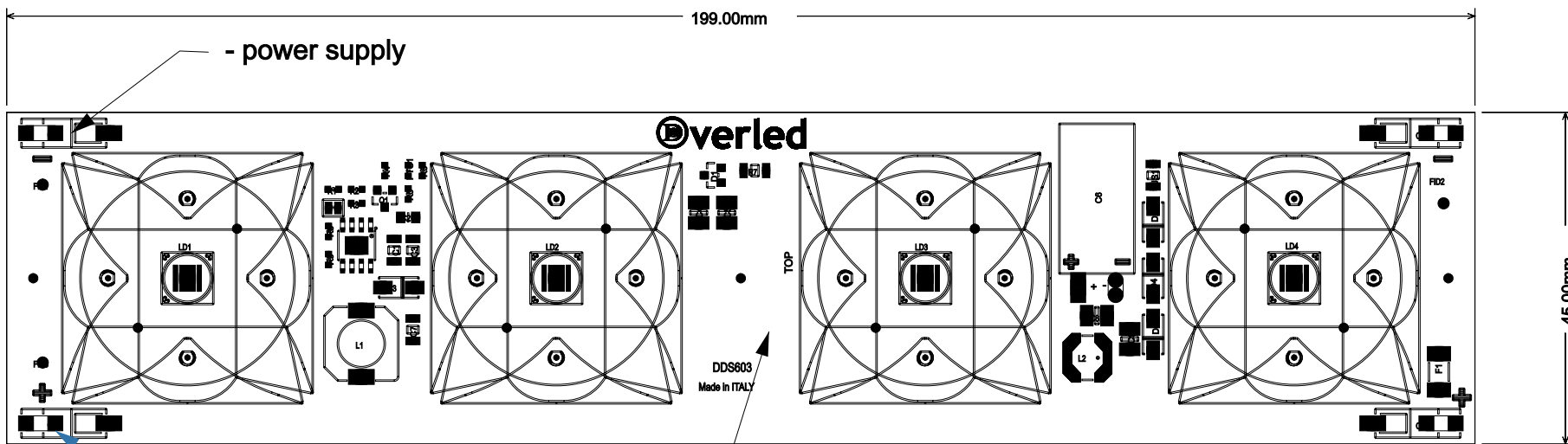
Dimmering by PWM on power supply

Fuse on board
Varistor for surge absorption
Power supply EMI filter
DC/Current converter high efficiency typical 87%
Polarity reverse protection

Available optics beam: 16 degree, elliptical

2 Connector for positive and negative power supply
Series module connection up to 5

Operating temperature on board 75 degree C
Shut down light temperature > 95 degree C
Storage temperature 100 degree C
ESD protection on board
Humidity max 80%
Conformal coating on request



Ordering code:

Lamp.603 -XX-Y

XX= led colour
 warm white 3000K - WW
 natural white 4000K - NW
 cold white 5000K - CW
 blue - BL

Y= LENS
 narrow - N
 medium - M
 wide - W
 fresnell - F

Example :

lamp.603-CW-N