

CONTROLLER

DALI Led controller 75W



DDS 849
MADE IN ITALY

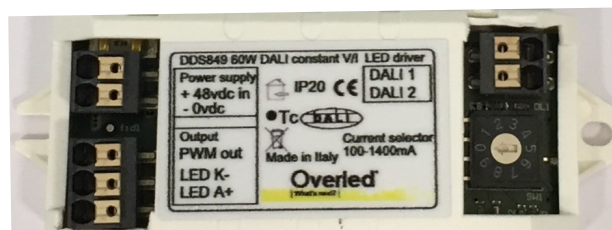
General description

DDS849 is a constant current / constant voltage LED driver that can work at 24VDC or 48VDC with a maximum supply voltage of 50VDC and a maximum current of 7A*.

DDS849 is compatible with DALI Type 6 protocol and it's small size help to fit it in limited spaces like inside luminaire.

Wiring is provided by Push-spring connector.

Several current output values are available, from 250mA up to 1600mA.



Note:

(*) @24VDC



ELETRONICA

Overled è un marchio di DDS Elettronica s.r.l.

Via Biondo, 171 • 41126 Modena (Mo) • Italy • Tel: +39 059 3314.65 • info@overled.com

www.overled.com

Overled[®]

| What's next? |



DDS 849
MADE IN ITALY

Specifiche tecniche / Technical specifications

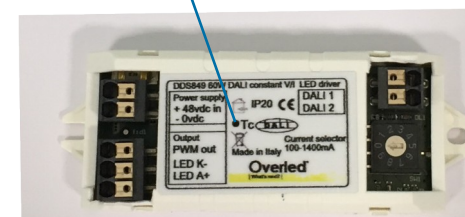
Power Supply	MIN	TYP	MAX
Supply Voltage	20Vdc	48Vdc	52Vdc
Max current:			1600mA
Dropout voltage in current mode	2.8Vdc	3.9Vdc	4Vdc
DALI :		Type 6	
DALI:		Fully optocoupled	
Output current mode selectable:	250mA		1600mA

Common	MIN	TYP	MAX
PWM frequency	720Hz	733Hz	790Hz
Constant Current / Constant Voltage		1 channel output	
# White LED	1*	10*	15*

Environmental	MIN	TYP	MAX
Operating temperature (Ta)	-10°C	+30°C	+60°C
Storage temperature (Ts)	-20°C	+30°C	+65°C
Max case temperature (Tc)			+65°C
Relative humidity (RH)			80%

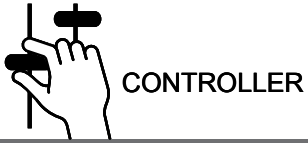
Note:
(*) 3W each

T Case reference



Overled è un marchio di DDS Elettronica s.r.l.
Via Biondo, 171 • 41126 Modena (Mo) • Italy • Tel: +39 059 3314.65 • info@overled.com
www.overled.com

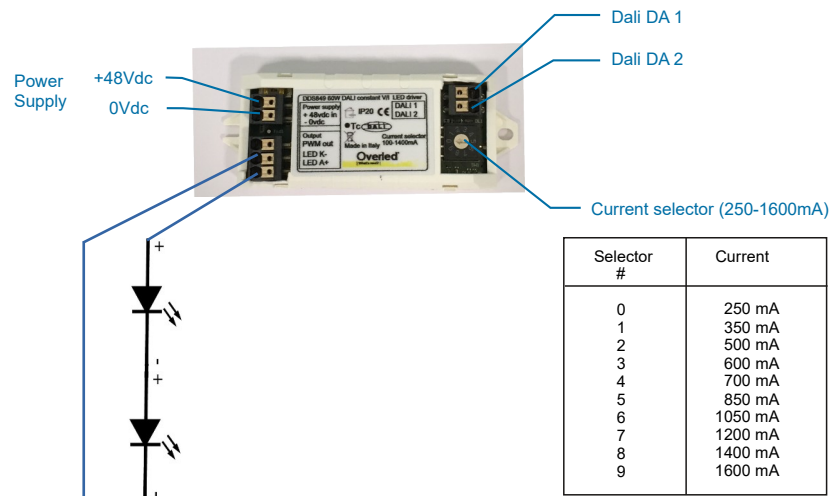
Overled[®]
| What's next? |



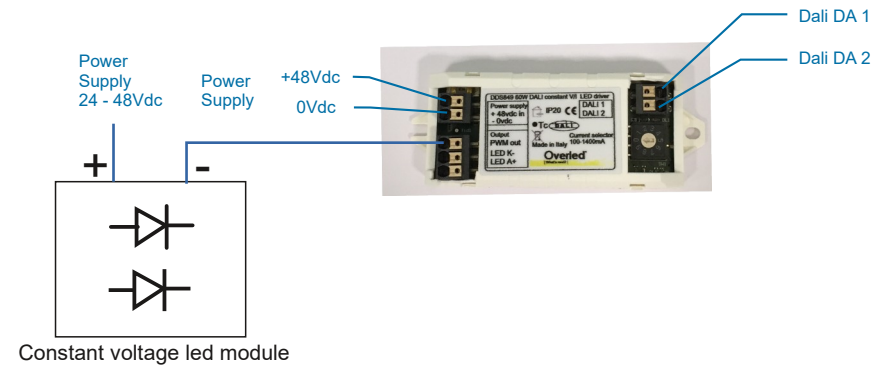
Wiring specifications



Constant Current (PWM OUT)

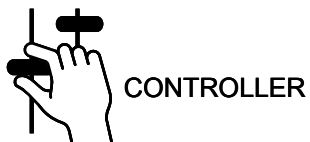


Constant Voltage (PWM OUT)



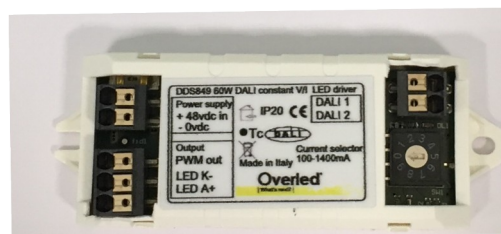
Overled è un marchio di DDS Elettronica s.r.l.
 Via Biondo, 171 • 41126 Modena (Mo) • Italy • Tel: +39 059 3314.65 • info@overled.com
www.overled.com

Overled[®]
 | What's next? |



DDS 849
MADE IN ITALY

Wiring specifications



Conductors suitable for connection

Clamping range, min.	0.13 mm ²
Clamping range, max.	1.5 mm ²
Wire connection cross section AWG, min.	AWG 28
Wire connection cross section AWG, max.	AWG 14
Solid, min. H05(07) V-U	0.2 mm ²
Solid, max. H05(07) V-U	1.5 mm ²
Flexible, min. H05(07) V-K	0.2 mm ²
Flexible, max. H05(07) V-K	1.5 mm ²



Wire stripping length (without ferrules)



ELETRONICA

Overled è un marchio di DDS Elettronica s.r.l.

Via Biondo, 171 • 41126 Modena (Mo) • Italy • Tel: +39 059 3314.65 • info@overled.com

www.overled.com

Overled[®]

| What's next? |



Comandi / Commands

9.2 Control gear

9.2.1 General

Control gear may receive commands from an application controller. The application controller is specified by IEC 62386-103:2014 and IEC 62386-103:2014/AMD1:2018.

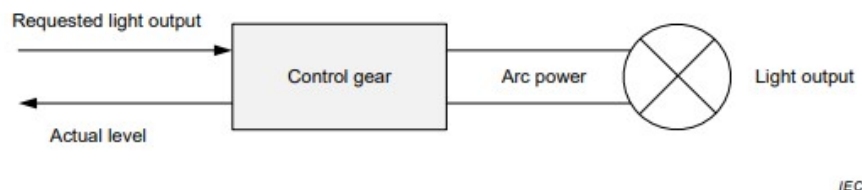


Figure 2 – Control gear directly operating a light source

Figure 2 shows how the various levels lead to light output. The maximum (light) output level of a control gear is referred to as 100 %. All levels are specified in a relative way. Physically there is a minimum that the control gear can supply whilst there is still light output. This is known as the physical **minimum level** (PHM).

Normal commands 1/2:

ON_AND_STEP_UP
GO_TO_SCENE
OFF
UP
DOWN
STEP_UP
STEP_DOWN
RECALL_MAX_LEVEL
RECALL_MIN_LEVEL
STEP_DOWN_AND_OFF
ON_AND_STEP_UP
ENABLE_DAPC_SEQUENCE
RESET
STORE_ACTUAL_LEVEL_IN_DTR
STORE_DTR_AS_MAX_LEVEL
STORE_DTR_AS_MIN_LEVEL
STORE_DTR_AS_SYSTEM_FAILURE_LEVEL
STORE_DTR_AS_POWER_ON_LEVEL
STORE_DTR_AS_FADE_TIME
STORE_DTR_AS_FADE_RATE
STORE_DTR_AS_SHORT_ADR
ENABLE_WRITE_MEMORY
QUERY_STATUS
QUERY_BALLAST
QUERY_LAMP_FAILURE
QUERY_LAMP_POWER_ON
QUERY_LIMIT_ERROR
QUERY_RESET_STATE



Overled è un marchio di DDS Elettronica s.r.l.

Via Biondo, 171 • 41126 Modena (Mo) • Italy • Tel: +39 059 3314.65 • info@overled.com

www.overled.com

Overled®

| What's next? |



DDS 849
MADE IN ITALY

Comandi / Commands

Normal commands 2/2:

QUERY_MISSING_SHORT_ADR
QUERY_VERSION_NUMBER
QUERY_CONTENT_DTR
QUERY_DEVICE_TYPE
QUERY_PHYS_MIN_LEVEL
QUERY_POWER_FAILURE
QUERY_CONTENT_DTR1
QUERY_CONTENT_DTR2
QUERY_ACTUAL_LEVEL
QUERY_MAX_LEVEL
QUERY_MIN_LEVEL
QUERY_POWER_ON_LEVEL
QUERY_SYSTEM_FAILURE_LEVEL
QUERY_FADE_TIME_RATE
QUERY_GROUPS_0_7
QUERY_GROUPS_8_15
QUERY_RANDOM_ADR_H
QUERY_RANDOM_ADR_M
QUERY_RANDOM_ADR_L
READ_MEMORY_LOCATION
QUERY_EXTENDED_VERSION_NUMBER
GO_TO_SCENE
STORE_DTR_AS_SCENE
REMOVE_FROM_SCENE
ADD_TO_GROUP
REMOVE_FROM_GROUP
QUERY_SCENE_LEVEL
APP_EXT_CMD

Special commands:

TERMINATE
DTR
INITIALIZE
RANDOMIZE
COMPARE
WITHDRAW
SEARCH_ADR_H
SEARCH_ADR_M
SEARCH_ADR_L
PROGRAM_SHORT_ADR
VERIFY_SHORT_ADR
QUERY_SHORT_ADR
PHYS_SELECTION
ENABLE_DEV_TYPE_X
DTR1
DTR2
WRITE_MEMORY_LOC

v.2.60 additional commands:

SAVE_PERSISTENT_VARIABLES
QUERY_OPERATING_MODE
QUERY_LIGHT_SOURCE_TYPE
QUERY_MANUFACTURER_SPECIFIC_MODE
APP_EXT_SELECT_DIMMING_CURVE
APP_EXT_STORE_DTR_AS_FAST_FADE_TIME
APP_EXT_QUERY_GEAR_TYPE
APP_EXT_QUERY_DIMMING_CURVE
APP_EXT_QUERY_POSSIBLE_OPERATING_MODE
APP_EXT_QUERY_FEATURES
APP_EXT_QUERY_FAILURE_STATUS
APP_EXT_QUERY_OPERATING_MODE
APP_EXT_QUERY_FAST_FADE_TIME
APP_EXT_QUERY_MIN_FAST_FADE_TIME
QUERY_EXTENDED_VERSION_NUMBER



Overled è un marchio di DDS Elettronica s.r.l.

Via Biondo, 171 • 41126 Modena (Mo) • Italy • Tel: +39 059 3314.65 • info@overled.com

www.overled.com

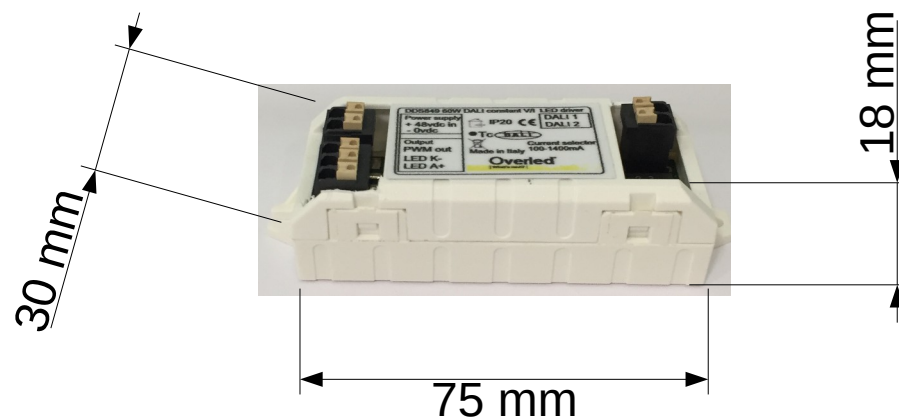
Overled[®]

| What's next? |



DDS 849
MADE IN ITALY

Dimensions



Ordering Code: DDS849



Overled è un marchio di DDS Elettronica s.r.l.

Via Biondo, 171 • 41126 Modena (Mo) • Italy • Tel: +39 059 3314.65 • info@overled.com

www.overled.com

Overled[®]
| What's next? |